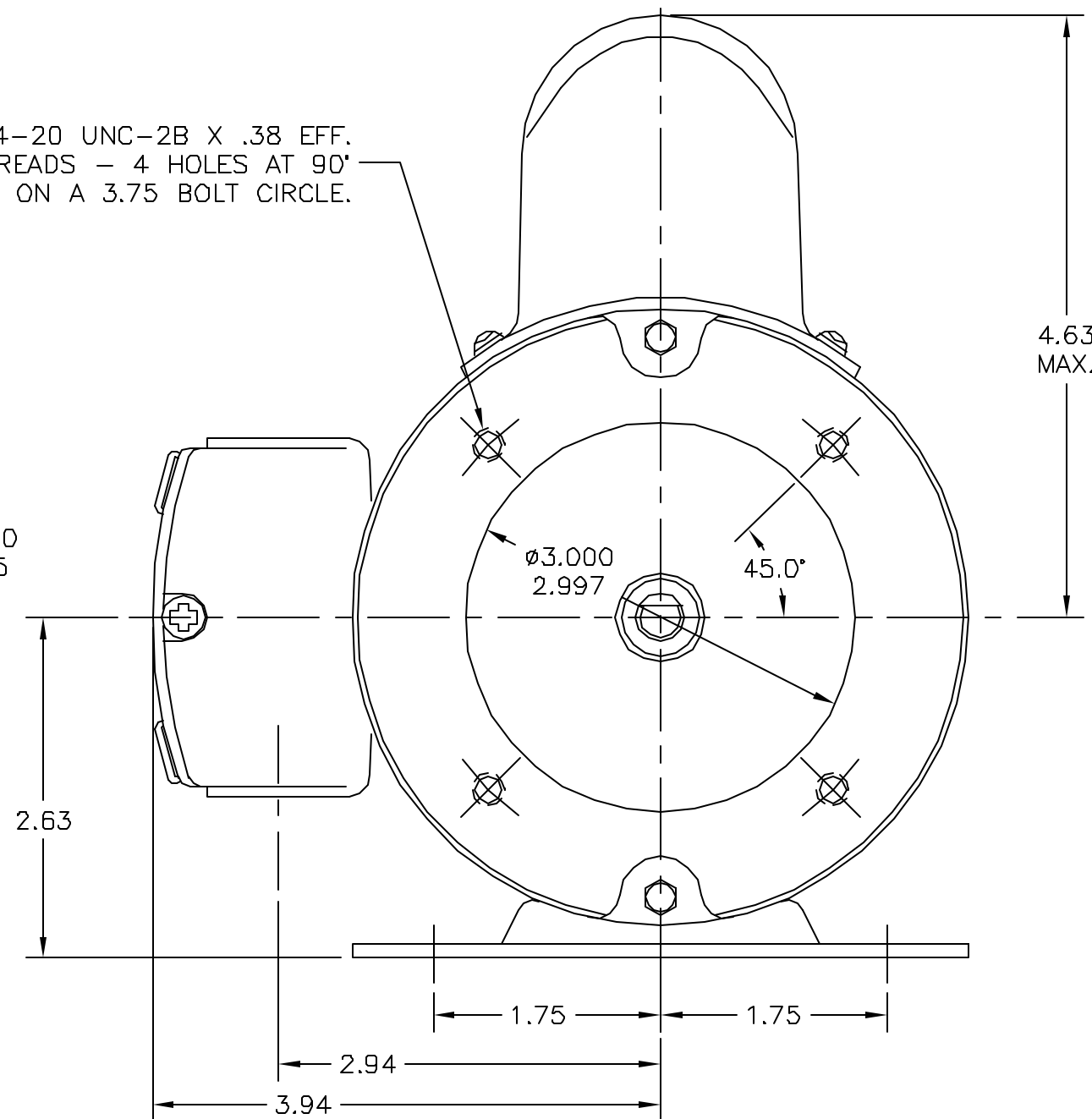


1/4-20 UNC-2B X .38 EFF. THREADS - 4 HOLES AT 90° APART ON A 3.75 BOLT CIRCLE.



FRAME	'C'	'AG'	'AD'
4212	8.00	6.69	2.19
4216	8.00	6.69	2.19
4220	9.13	7.81	3.31
4225	9.13	7.81	3.31

OUTL-301-12

OUTLINE ~ 42 FRAME ~ TENV
C'FACE W/ BASE